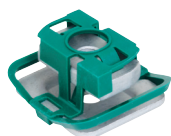


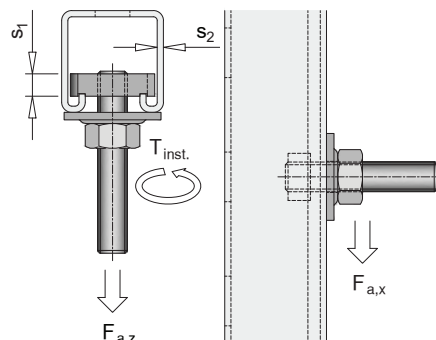
# Walraven RapidStrut® Système de fixation

## Informations techniques

### Walraven RapidStrut® Ecrus coulissants avec bague plastique



Walraven BIS UltraProtect® 1000 (BUP1000) 6651851XX (BUP1000)  
Inox 6651751XX (Inox)



### Walraven RapidStrut® Ecrus coulissants MS



Electrozingué (ez) 665131XX (ez)  
Walraven BIS UltraProtect® 1000 (BUP1000) 665183XX (BUP1000)

## Caractéristiques produits

### Walraven RapidStrut® Ecrus coulissants avec bague plastique

| Code article | G   | S <sub>1</sub> (mm) | T <sub>inst.</sub> (Nm) | Charge maximale admissible |                         |                         |                         |                         |                         |
|--------------|-----|---------------------|-------------------------|----------------------------|-------------------------|-------------------------|-------------------------|-------------------------|-------------------------|
|              |     |                     |                         | Fa,x (N)                   |                         |                         | Fa,z (N)                |                         |                         |
|              |     |                     |                         | S <sub>2</sub> = 1,5 mm    | S <sub>2</sub> = 2,0 mm | S <sub>2</sub> = 2,5 mm | S <sub>2</sub> = 1,5 mm | S <sub>2</sub> = 2,0 mm | S <sub>2</sub> = 2,5 mm |
| 665185106    | M6  | 5,0                 | 7,0                     | 730                        | 880                     | 950                     | 2 310                   | 2 440                   | 2 660                   |
| 665185108    | M8  | 6,0                 | 11,0                    | 770                        | 920                     | 1 100                   | 2 660                   | 2 850                   | 3 120                   |
| 665185110    | M10 | 8,0                 | 15,0                    | 870                        | 1 040                   | 1 250                   | 4 220                   | 4 610                   | 5 000                   |
| 665185112    | M12 | 9,0                 | 22,0                    | 1 690                      | 2 030                   | 2 440                   | 4 220                   | 4 610                   | 5 000                   |
| 665175108    | M8  | 6,0                 | 11,0                    | 770                        | 920                     | 1 100                   | 2 660                   | 2 850                   | 3 120                   |
| 665175110    | M10 | 8,0                 | 15,0                    | 870                        | 1 040                   | 1 250                   | 4 220                   | 4 610                   | 5 000                   |

### Walraven RapidStrut® Ecrus coulissants MS

| Code article | G     | S <sub>1</sub> (mm) | T <sub>inst.</sub> (Nm) | Charge maximale admissible |                         |                         |                         |                         |                         |
|--------------|-------|---------------------|-------------------------|----------------------------|-------------------------|-------------------------|-------------------------|-------------------------|-------------------------|
|              |       |                     |                         | Fa,x (N)                   |                         |                         | Fa,z (N)                |                         |                         |
|              |       |                     |                         | S <sub>2</sub> = 1,5 mm    | S <sub>2</sub> = 2,0 mm | S <sub>2</sub> = 2,5 mm | S <sub>2</sub> = 1,5 mm | S <sub>2</sub> = 2,0 mm | S <sub>2</sub> = 2,5 mm |
| 66513108     | M8    | 8,0                 | 25,0                    | 940                        | 1 210                   | 1 450                   | 2 660                   | 3 580                   | 4 450                   |
| 66513110     | M10   | 8,0                 | 30,0                    | 1 170                      | 1 510                   | 1 810                   | 4 220                   | 4 610                   | 5 000                   |
| 66513112     | M12   | 10,0                | 40,0                    | 2 090                      | 2 430                   | 2 790                   | 4 220                   | 4 610                   | 5 000                   |
| 66513116     | M16   | 10,0                | 40,0                    | 2 090                      | 2 430                   | 2 790                   | 4 220                   | 4 610                   | 5 000                   |
| 66513121     | G1/2" | 10,0                | 40,0                    | 2 090                      | 2 430                   | 2 790                   | 4 220                   | 4 610                   | 5 000                   |
| 66518308     | M8    | 8,0                 | 25,0                    | 940                        | 1 210                   | 1 450                   | 2 660                   | 3 580                   | 4 450                   |
| 66518310     | M10   | 10,0                | 30,0                    | 1 170                      | 1 510                   | 1 810                   | 4 220                   | 4 610                   | 5 000                   |
| 66518312     | M12   | 10,0                | 40,0                    | 2 090                      | 2 430                   | 2 790                   | 4 220                   | 4 610                   | 5 000                   |



UK +44 1295 75 34 00  
NL +31 297 23 30 00  
BE +32 16 82 20 40  
FR +33 4 76 04 10 70  
ES +34 93 721 33 75

DE/AT/CH +49 921 75600  
DK/NO +45 46 37 05 10  
SE +46 40 36 54 20  
PL +48 880 757 351  
IT +34 93 721 33 75

CZ/SK +420 326 724 009  
HU/RO +36 1 920 2458  
HR +381 61 44 46 444  
US +1 800 610 5056  
CA +1 800-263-8652

UA +380 44 351 27 47  
CN +86 21 5176 0268  
SG +65 6970 0605  
UAE +971 4 8821 114  
Other countries +31 297 23 30 00