

Walraven RapidStrut® Skensystem

Teknisk data

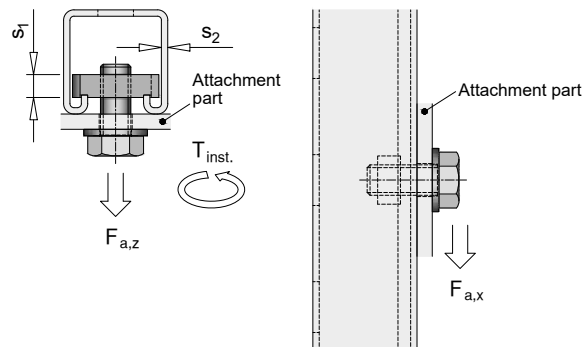
Walraven RapidStrut® Skenmutter



Ytbehandling Blankförzinkad (FZB)
 Ytbehandling Varmförzinkad (FZV)
 Ytbehandling Walraven BIS UltraProtect® 1000 (BUP)
 Ytbehandling Rostfritt Stål (RFR)

Art.nr.

65170XX (FZB)
 65180XX (FZV)
 651880XX (BUP)
 65177XX (RFR)



Walraven RapidStrut® Glidmutter med vingar



Ytbehandling Blankförzinkad (FZB)
 Ytbehandling Walraven BIS UltraProtect® 1000 (BUP)
 Ytbehandling Rostfritt Stål (RFR)

Art.nr.

65186XX (FZB)
 6518680XX (BUP)
 6518670XX (RFR)

Produktöversikt

Walraven RapidStrut® Skenmutter och Walraven RapidStrut® Glidmutter med vingar

| Walraven RapidStrut® Skenmutter | | | | Walraven RapidStrut® Glidmutter med vingar | | | Dim. | T _{inst.} (Nm) | | |
|---------------------------------|---------|----------|---------|--|-----------|-----------|------|-------------------------|-------------------------|-------------------------|
| FZB | FZV | BUP | RFR | FZB | BUP | RFR | | s ₂ = 1,5 mm | s ₂ = 2,0 mm | s ₂ = 2,5 mm |
| 6517006 | 6518006 | 65188006 | 6517706 | 6518606 | 651868006 | 651867006 | M6 | 7,0 | 7,0 | 7,0 |
| 6517008 | 6518008 | 65188008 | 6517708 | 6518608 | 651868008 | 651867008 | M8 | 25,0 | 25,0 | 25,0 |
| 6517010 | 6518010 | 65188010 | 6517710 | 6518610 | 651868010 | 651867010 | M10 | 40,0 | 40,0 | 40,0 |
| 6517012 | 6518012 | 65188012 | 6517712 | 6518612 | 651868012 | 651867012 | M12 | 40,0 | 50,0 | 50,0 |

Walraven RapidStrut® Skenmutter och Walraven RapidStrut® Glidmutter med vingar

Maximalt tillåtna belastning

| Dim. | Fa,x (N) | | | Fa,z (N) | | |
|------|-------------------------|-------------------------|-------------------------|-------------------------|-------------------------|-------------------------|
| | s ₂ = 1,5 mm | s ₂ = 2,0 mm | s ₂ = 2,5 mm | s ₂ = 1,5 mm | s ₂ = 2,0 mm | s ₂ = 2,5 mm |
| M6 | 730 | 880 | 950 | 2 310 | 2 460 | 2 660 |
| M8 | 1 000 | 1 600 | 2 200 | 2 660 | 3 580 | 4 500 |
| M10 | 1 200 | 1 950 | 2 550 | 4 210 | 4 600 | 5 000 |
| M12 | 1 200 | 2 430 | 2 950 | 4 210 | 4 600 | 5 000 |



UK +44 1295 75 34 00
 NL +31 297 23 30 00
 BE +32 16 82 20 40
 FR +33 4 76 04 10 70
 ES +34 93 721 33 75

DE/AT/CH +49 921 75600
 DK/NO +45 46 37 05 10
 SE +46 40 36 54 20
 PL +48 880 757 351
 IT +34 93 721 33 75

CZ/SK +420 326 724 009
 HU/RO +36 1 920 2458
 HR +381 61 44 46 444
 US +1 800 610 5056
 CA +1 800-263-8652

UA +380 44 351 27 47
 SG +65 6970 0605
 UAE +971 4 8821 114
 Other countries
 +31 297 23 30 00